

# SILVER FOX

---



User Manual for Electric Beauty Bed

Model: 2244

SILVER FOX BEAUTY EQUIPMENT  
(INSTRUMENT) CO., LTD

# Content

- 1. About this manual ..... 2
- 2. Introduction of Mark ..... 2
- 3. Precautions and Warnings ..... 3
- 4. Cautions ..... 3
- 5. Construction ..... 4
- 6. Application ..... 4
- 7. Installation Steps ..... 5
- 8. Operation Instruction ..... 6
- 9. Technical Parameter ..... 7
- 10. Maintenance ..... 8
- 11. Circuit Diagram ..... 8
- 12. Failure Solution ..... 9

Thank you for purchasing 2244 beauty bed!  
Please read this manual carefully before using.

# 1

## About this manual

This manual shall only used for the reference of operation of this bed. If manual is used for other purposes, Silver Fox won't undertake all of the resulting consequences and responsibility. This manual is protected by copyright. If there's no documentary approval, it is prohibited to be copy, reproduce and translate.

**All right reserved to SILVER FOX**

**SILVER FOX BEAUTY INSTRUMENT CO., LTD**

Add: Union Industrial Zone, west of Jiangsha Road, Jiangmen, Guangdong, China

Tel: 0086-20-87514019

Fax: 0086-20-87515003

Post Code: 510620

# 2

## Introduction of Mark



Protective earthing



Functional earthing



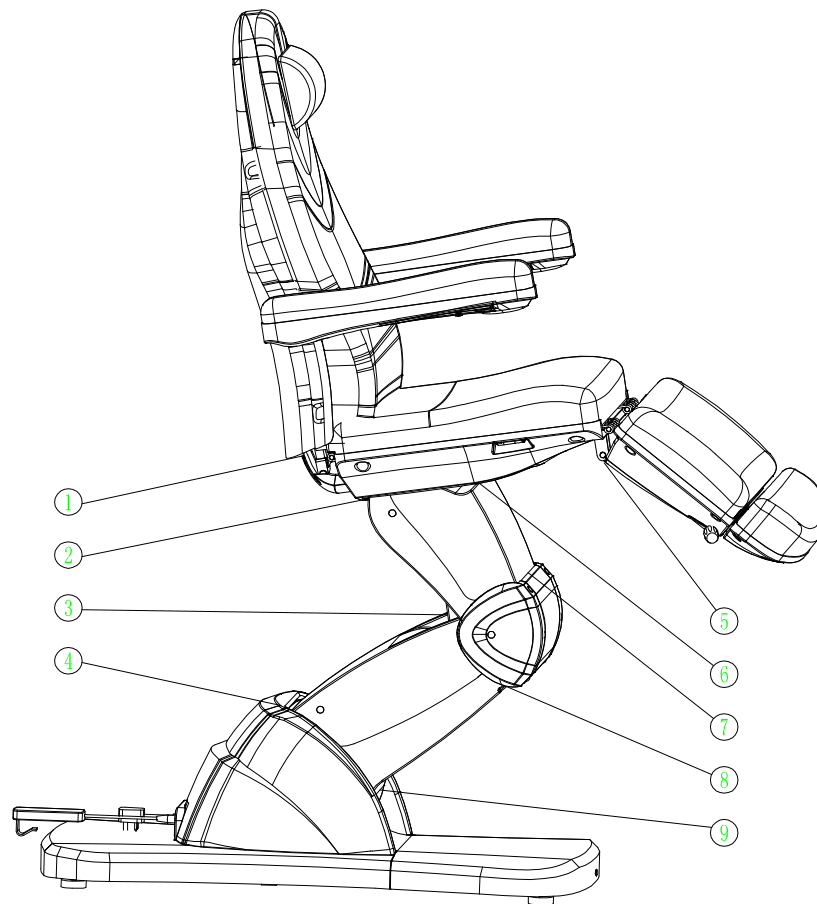
The level of electric shock resistance is level II , BF type.

# 3

## Precautions and Warnings

- Please read this manual carefully before installation, operation and adjustment. And pls keep it well.
- This bed is equipped with a cord having a grounding wire with a grounding plug. The plug must be plugged into an outlet that is properly installed and grounded. This is not only to reduce the risk of electric shock., but also ensure bed can work normally.
- Please do not soak any plugs, buttons and connection cables into water or liquid during operation.
- When adjusting the back rest, seat and height of the bed, pls keep your hands, feet and head away from the position ①②③④⑤⑥⑦⑧⑨ showed on below photo to avoid them getting jammed.
- Please stop using the bed if plug, button or connection cables are damaged.
- Please keep the input frequency to be 6min/h when operating the motor.

- This bed shall be maintained by professional person.



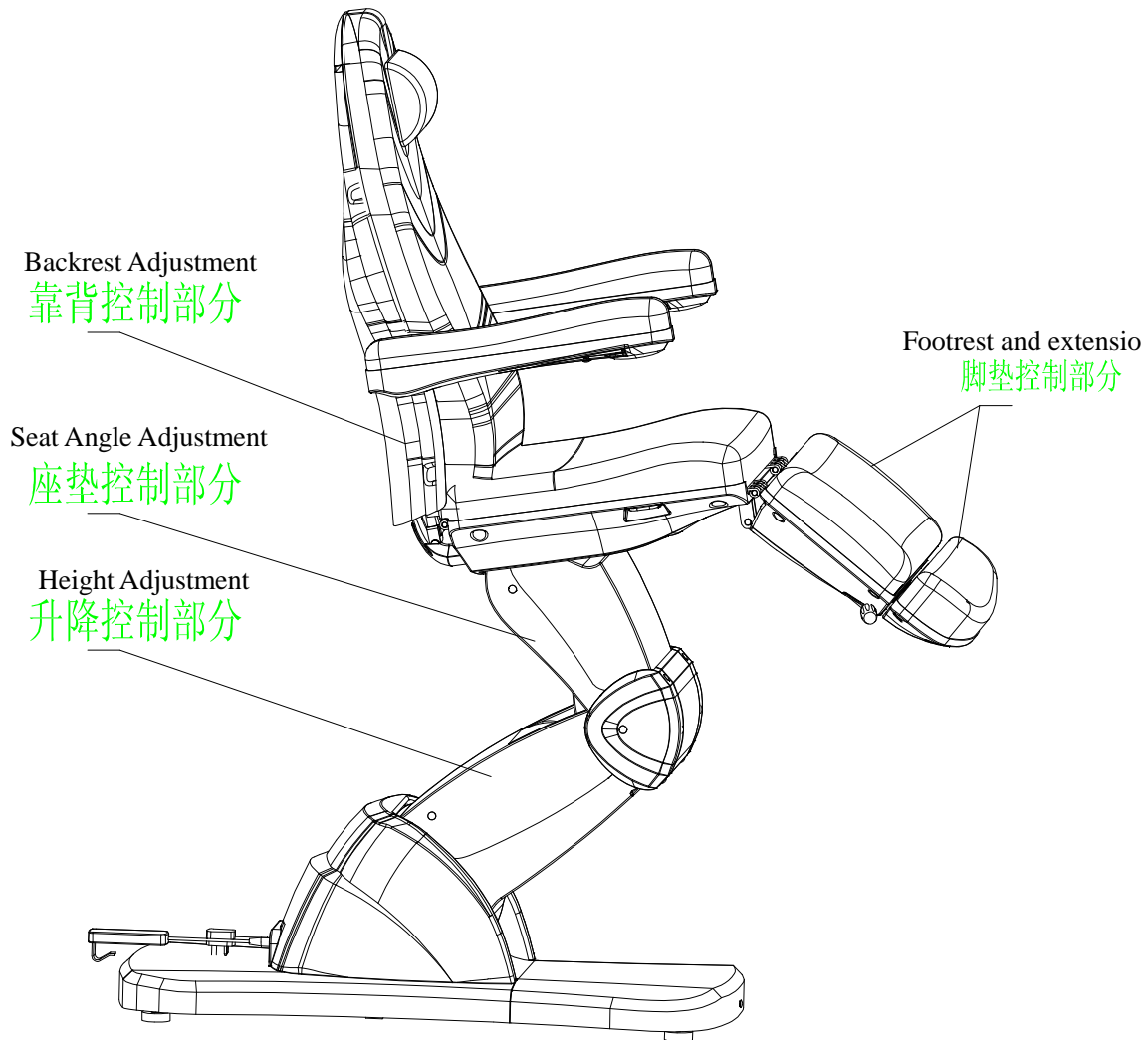
## 4 Cautions

- Pls ensure bed be away from any articles during height and angle adjustment.
- Pls do not release the control button until motor rise or go down to the desired position.
- If you have adjusted the headrest structure, please ensure it is fasten before using.
- Pls shut off the power before replacing apparatus element.
- Pls shut off the power before maintenance and cleaning.
- After every treatment, pls use neutral reagent to clear the dust, stains on leather or the plastic cover.
- This bed can be operated by professional cosmetologist.

## 5 Construction

This beauty bed consists of control box, motors, angle adjustment, metal parts, plastic suction parts, plastic injection parts, and PU upholstery. The control boxes shall connect hand controller, foot controller, 3 motors and heating system.

Beauty bed integrates 4 adjustment sections (backrest, seat, height, and footrest) into a whole system with multi functions. Pls see as below.



## 6

### Application

This beauty bed is suitable for medical care and the treatment of beauty, pedicure, and massage.

## 7

### Installation Steps

1. Please set the bed to a proper location according to overall distribution, space combination, day lighting or artificial lightings and operation condition. Pls keep it in the clean, dry and cool operating environment.
2. Open the Outer Packing Carton to Check

Open the packing carton, check if the bed is intact and whether the accessories or spares are complete. Welcome to contact distributor or us if there's any problem.

3. Installation

Place the bed to the proper position. Please note that it is unnecessary to install screw on the floor to fasten the bed. But please ensure bed is placed on a firm and flat ground, so as to avoid accident. If bed could be rotated or slant due to rough ground, you may adjust the 4PCS plastic feet (M10×30) and M10 nuts fasten on the bottom panel with hexagon open-end wrench. Please try to ensure bed is as flat as possible during adjustment.

4. Input, Hand controller and Foot Controller Connection

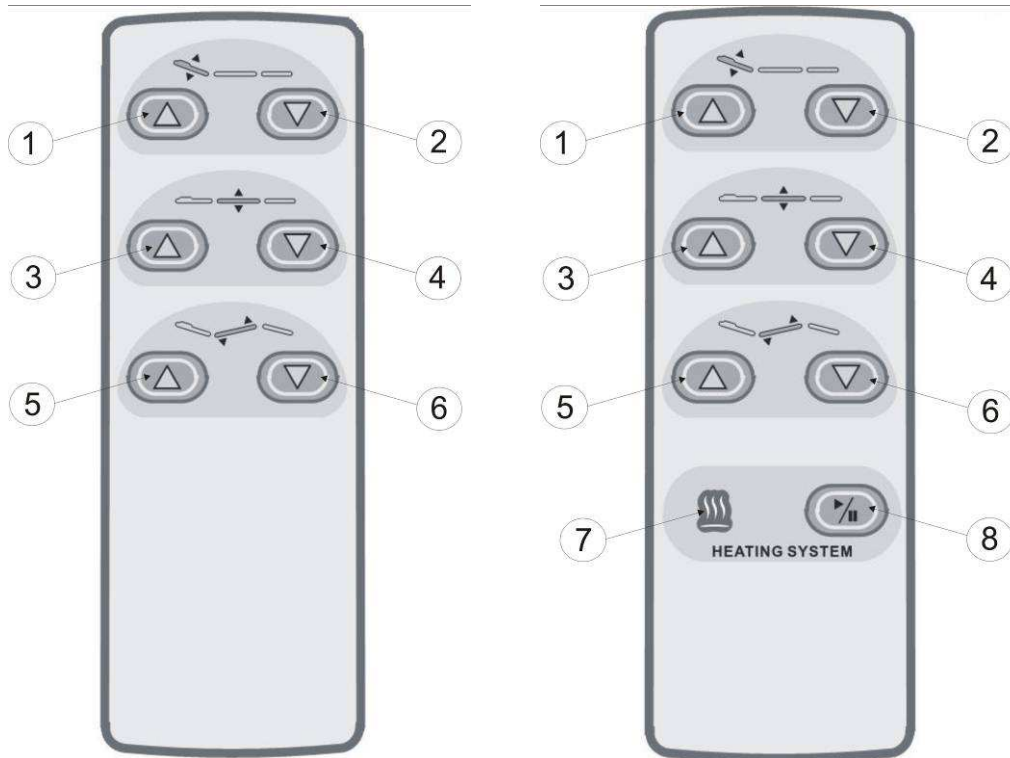
Pls connect the power, hand controller and foot controller as photo below. Voltage and frequency input shall be AC 100-130/220-240V, 50/60Hz.



## 8

### Operation Instruction

#### 8.1 Instruction of Hand Controller

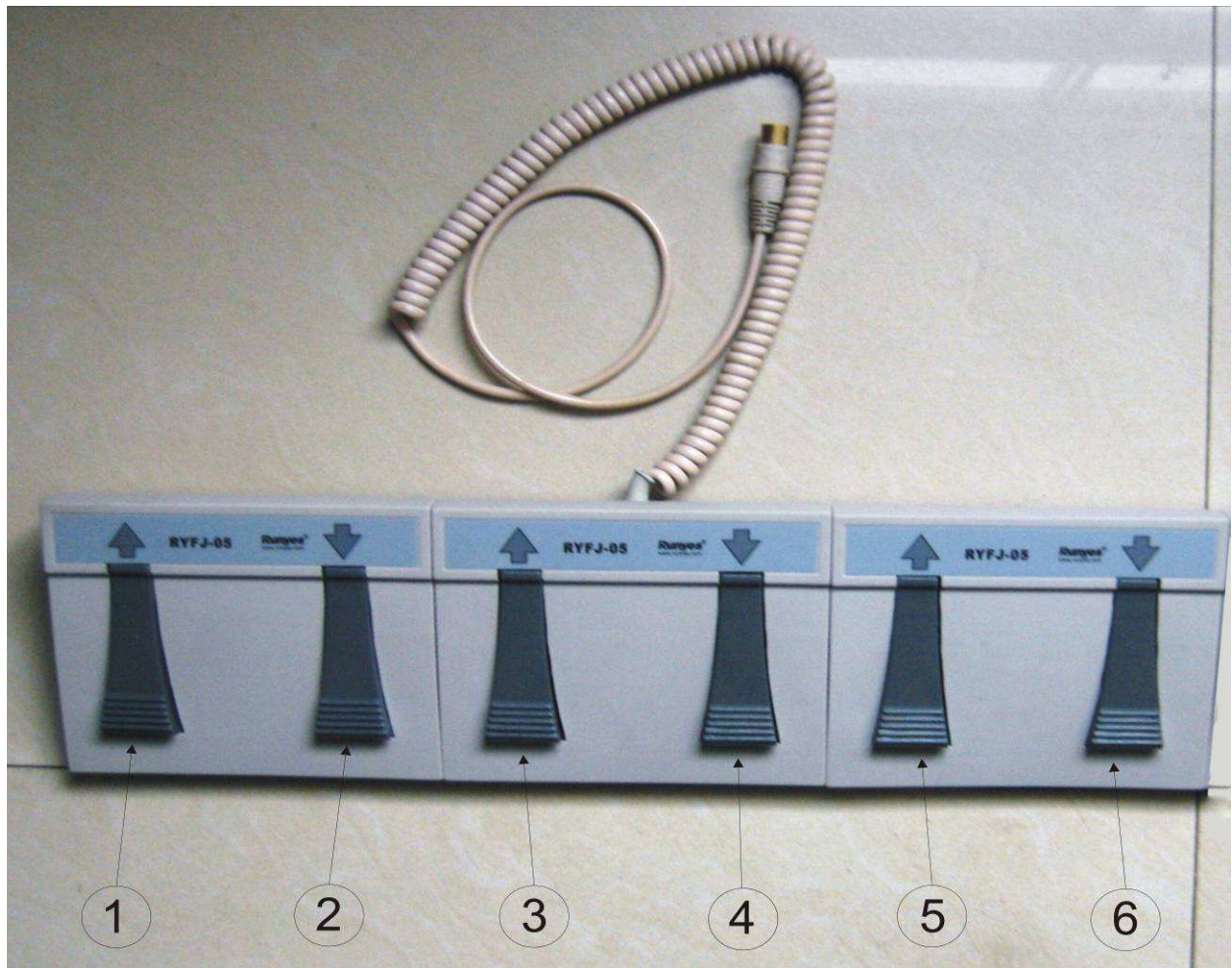


Hand controller panel without heating system

Hand controller panel with heating system

Button	Description	Operation
①	Backrest motor rise	Backrest rises smoothly by pressing the button.
②	Backrest motor go down	Backrest goes down smoothly by pressing the button.
③	Height motor rise	Bed rises smoothly by pressing the button.
④	Height motor go down	Bed goes down smoothly by pressing the button.
⑤	Seat angle motor rise	Seat rises smoothly and angle increases by pressing the button.
⑥	Seat angle motor go down	Seat goes down smoothly and angle decreases by pressing the button.
⑦	Indicating light for heating system	Light up indicates temperature rise, light turns off indicates heating stop.
⑧	Heating system on/off	After pressing the button, heating system for backrest, seat, and footrest works. If you press again, heating system will stop.

## 8. 2 Operation Instruction of Foot Controller



Foot Controller without heating system

Button	Description	Operation
①	Backrest motor rise	Backrest rises smoothly by stepping the button.
②	Backrest motor go down	Backrest goes down smoothly by stepping the button.
③	Height motor rise	Bed rises smoothly by stepping the button.
④	Height motor go down	Bed goes down smoothly by stepping the button.
⑤	Seat angle motor rise	Seat rises smoothly and angle increases by stepping the button.
⑥	Seat angle motor go down	Seat goes down smoothly and angle decreases by stepping the button.



# 9

## Technical Parameter

### Security Certification

Product in line with VDE and UL certification

### Size and Weight

Molding PU cover size: 1960 mm (L)×560 mm (W) ×590mm (H) (Tolerance: ±2%)

Max Height: 1000±10mm

Min Height: 590±10mm

Packing size: 1720mm (L) × 620mm (W) × 720mm (H)

N.W.: 86 KG

G.W.: 100 KG

### Operating Condition

Power supply: AC 100–130V/220–240V, 50/60Hz

### Performance Parameter

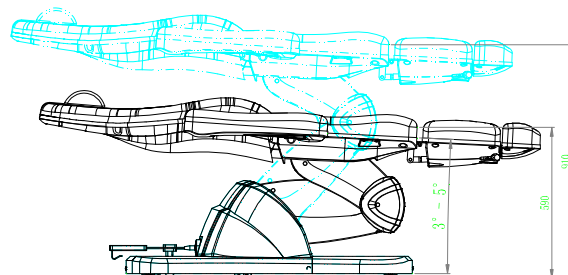
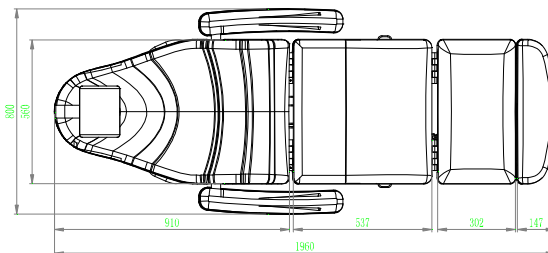
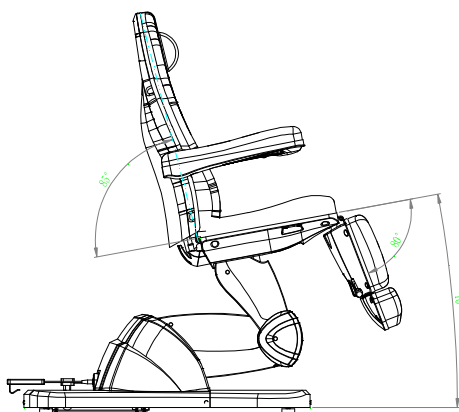
Backrest adjustable angle: 0° ~ +85° (Tolerance: ±10%)

Seat adjustable angle: -4° ~ +10° ±2°

Footrest adjustable angle: -80° ~ 0° (Tolerance: ±10%)

Footrest adjustable length : 150mm

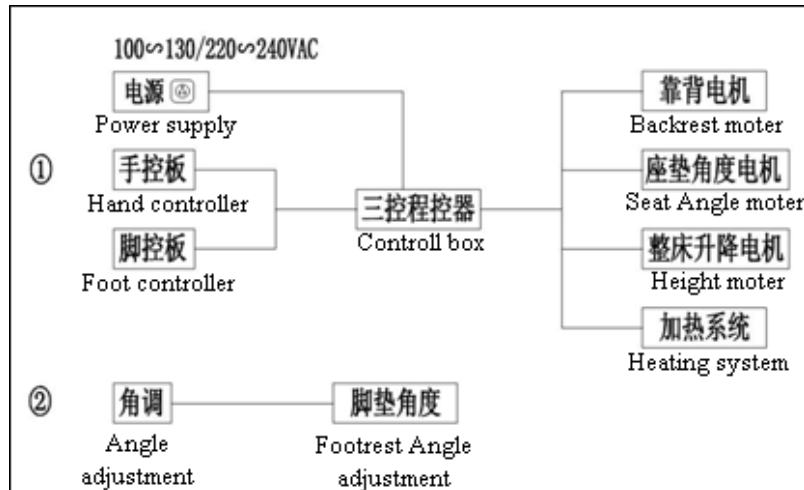
Bed load limits of up and down: 180Kg



# 10 Maintenance

After every treatment, please use neutral reagent to clear the dust, stains on leather or the plastic cover. This is to prevent premature aging of the leather and plastic cover.

# 11 Circuit Outline



# 12 Failure Solution

Failure	Cause	Correction Action
Motor can't rise and go down as normal	1、 Motor broken 2、 Problem in control box 3、 Problem in hand controller Unplug Power code or doesn't connected well.	1、 Replace a new motor 2、 Replace control box 3、 Replace hand controller
Abnormal Noise	1、 lack of lubricating oil on the gaslift 2、 Lack of lubricating oil on joints or POM cover 3、 Problem in motor	1、 添加润滑油 To add some lubricating oil 2、 Replace a new motor

Prepared by:

Checked by:

Approved by: